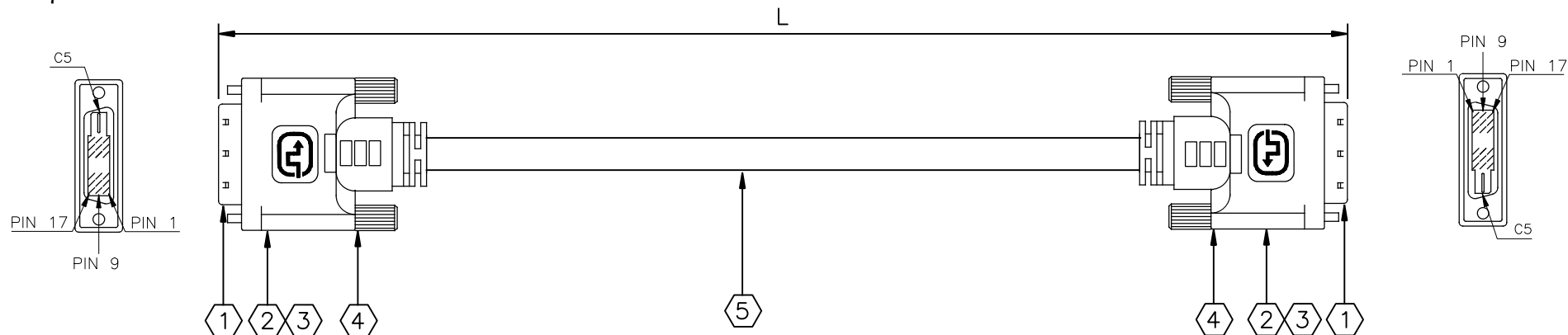
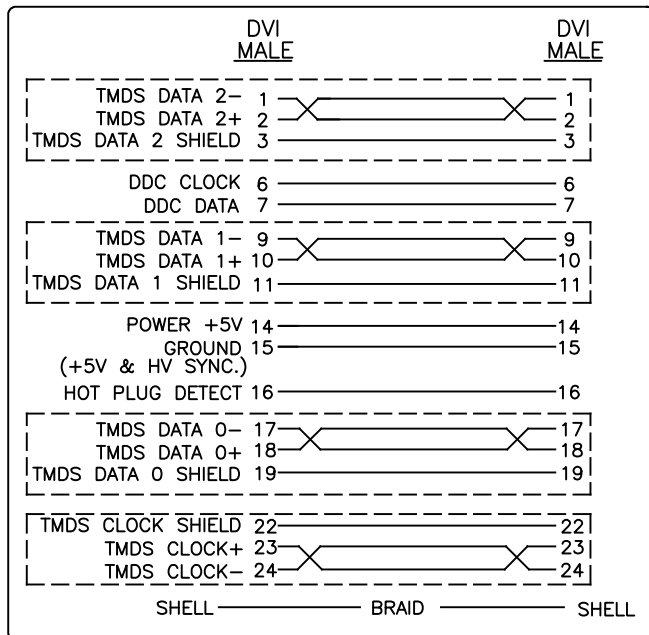


ALL MATERIAL ARE RoHS AND CALIFORNIA PROP.65 COMPLIANT



PINOUT CONFIGURATION



P/N	L±(mm)	BARCODE
DSL/5M	5000±200	4522686005163
DSL/7M	7000±200	4522686005170
DSL/10M	10000±250	4522686005187
DSL/15M	15000±250	4522686005194
DSL/20M	20000±250	4522686005200
DSL/30M	30000±250	4522686005217

NOTE:

- THIS ITEM CONTAINS PAT. NO:US 6,287,148 B1 RF-BLOK™ SHIELDING DESIGN
- WIRE MARKING:

(TTL)® E193793 AWM 20276 80°C 30V VW-1 TOTAL TECHNOLOGIES LTD.®
 DVI SINGLE LINK DIGITAL SUPER LOW ATTENUATION CABLE (SLAC™) UNIT: mm

ITEM	DESCRIPTION	QTY.	UNIT
1	DVI MALE CONNECTOR (18+1)	2	PCS.
2	BLACK MOLDED PVC HOOD	2	PCS.
3	PAT.US 6,287,148 B1 RF-BLOK™ SHIELDING METAL CAN	2	PCS.
4	BLACK #4/40 THUMBSCREW	4	PCS.
5	UL20276 (100Ω SHIELDED TWISTED PAIRS)x4C+ (CONTROL WIRE)x5C+AL-FOIL+DRAIN+85%BRAID; BLACK PVC JACKET.	SEE	DWG.

REVISED DETAILS			REVISED BY
REV.	DESCRIPTION	DATE	

Part number:	Revision:
DSL/5M	A
DSL/7M	Drawing #: 141217-5
DSL/10M	Scale: None
DSL/15M	Date: 12/17/2014
DSL/20M	
DSL/30M	

© Copyright 12-2014
JAPAN MATERIAL Co.,Ltd.
 TTL13/H/JM/141217-5

All information herein is proprietary and the exclusive property of the company. Recipient agrees: 1) Not to disclose any of such information to others 2) Not to reproduce in whole or in part 3) To use such information only as directed by the company. 4) Upon request, to return all copies of this document to the company. Specifications are subject to change without prior notice.