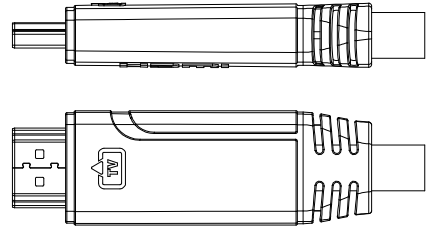
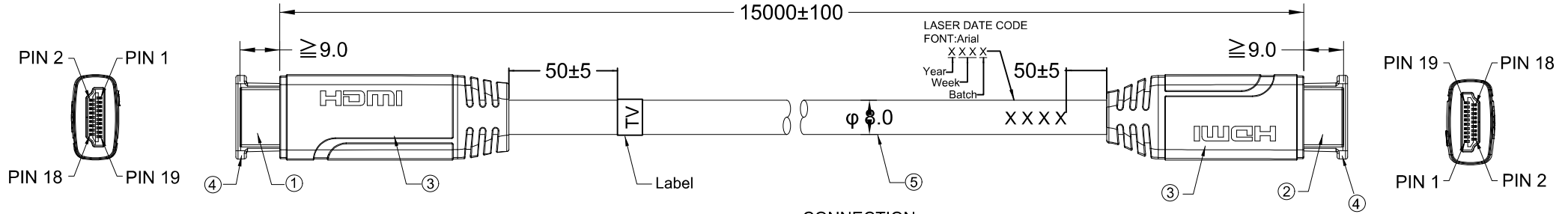




THESE DRAWINGS AND SPECIFICATIONS ARE THE PROPERTY OF **JAPAN MATERIAL Co.,Ltd.** AND SHALL NOT BE REPRODUCED COPIED OR USED IN ANY MANNER WITHOUT THE PRIOR WRITTEN CONSENT OF **JAPAN MATERIAL Co.,Ltd.**

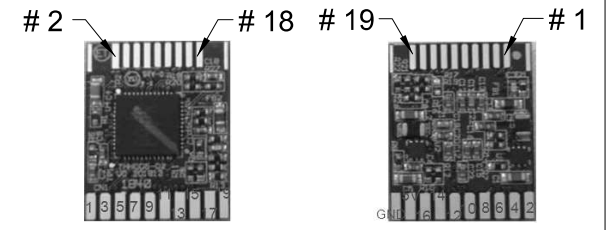
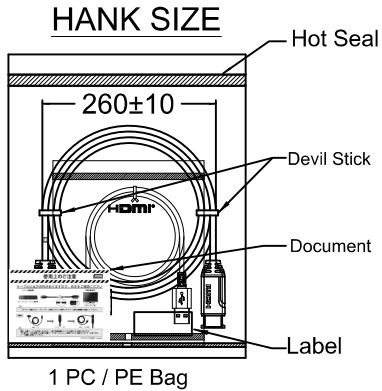
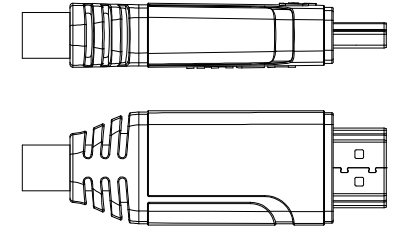
REV.	REVISED DESCRIPTION	DATE	DRAWN
1.0	FIRST RELEASE	2020.01.06	Y.S



CONNECTION

Active THH005-2 PCBA	HDMI PLUG	HDMI PLUG
5 T.M.D.S D2S	2	2 T.M.D.S Data 2 +
1 T.M.D.S Data 2 +	1	1 T.M.D.S Data 2 -
3 T.M.D.S Data 2 -	3	
2 T.M.D.S D1S	5	5 T.M.D.S Data 1 +
4 T.M.D.S Data 1 +	4	4 T.M.D.S Data 1 -
6 T.M.D.S Data 1 -	6	
11 T.M.D.S D0S	8	8 T.M.D.S Data 0 +
7 T.M.D.S Data 0 +	7	7 T.M.D.S Data 0 -
9 T.M.D.S Data 0 -	9	
8 T.M.D.S CKS	11	11 T.M.D.S Clock +
10 T.M.D.S Clock +	10	10 T.M.D.S Clock -
12 T.M.D.S Clock -	12	
17 CEC-GND	17	17 DDC/CEC Ground
14 Utility	14	14 Reserve
19 HPD	19	19 Hot Plug Detect
13 CEC	13	13 CEC 34AWG
15 SCL	15	15 SCL 34AWG
16 SDA	16	16 SDA 34AWG
	18	18 +5V Power 30awg

Cut 18



Electric Testing:
1: 100% 4K/60HZ TV+Simplay Labs;

THH005-2 PCBA

ITEM	SAP NO	SPECIFICATION	MODEL
⑤	307L87D01515000	[(1/0.404Bc+PE)*1P+1/0.324Tc+AL/Mylar]*4+[(1/0.254Bc+HDPE)*1P+1/0.254Tc+AL/Mylar]*1+(1/0.404Bc+HDPE)*4C+Filler+AL+16/13/0.10Tc 85%*1C OD=8.0±0.2MM Jacket=Black PVC with White Text :HIGH SPEED HDMI R (logo) CABLE WITH ETHERNET E148115-D (UL) TYPE CL2 SHIELDED 75°C 26AWG/12C+30AWG/2C ----- CSA 80C 30V I/II A/B FT4	
④	2312110024	Plastic Cap-Transparent	
③	31401012050	PVC - Black 50P	
②	303370069GB 3PCB04020600102	HDMI A Plug - Gold Plated(Pin 15u" Gold) / with PCBA	CYT-3411/ YT-3968
①	303370069GB 3MODTH05001	HDMI A Plug - Gold Plated(Pin 15u" Gold) / with THH005-02 IC	CYT-3794/ 3795

TOLERANCES UNLESS OTHERWISE STATED

X. = ±1
X.X = ±0.2
X.XX = ±0.1

TOOLING DECIMALS ANGLES

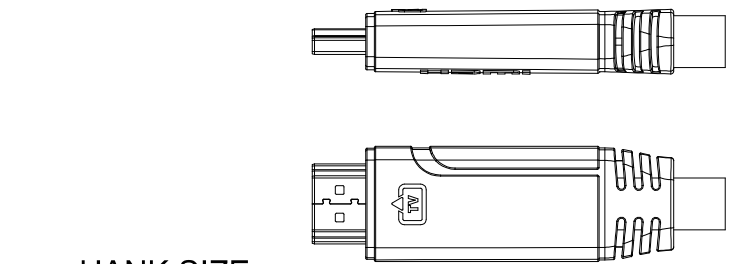
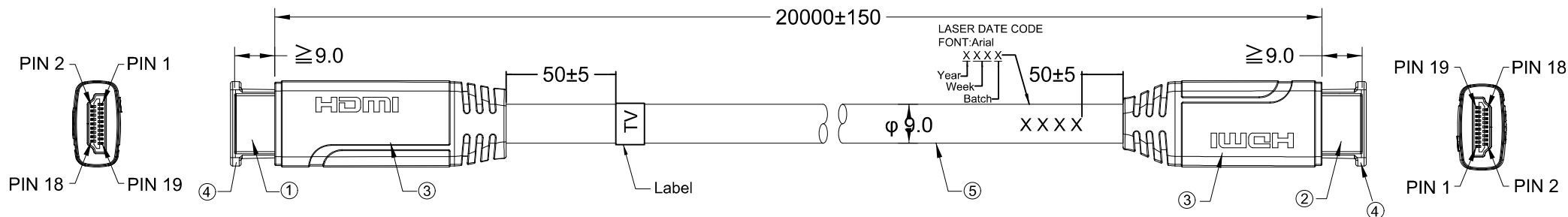
X. ±0.3 ± 1°
X.X ±0.2 ± 0.5°
X.XX ±0.1 ± 0.5°

JAPAN MATERIAL Co.,Ltd.			
		DWG NO: E200106DWG	
		FINISH:	
		SIZE	A4
		REV	1.0
P/N: HAM/AEF015MP		UNIT	mm
DESCRIPTION		SCALE	NO
PRODUCT		PAGE NO	1/1
HDMI 2.0 A/P+THH005-2 - HDMI A/P 26/30# L=15MM		DATE	2020.01.06
		DRAWN	Y.S



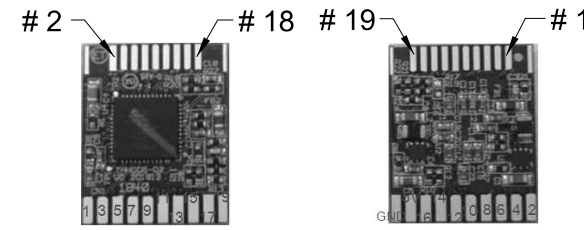
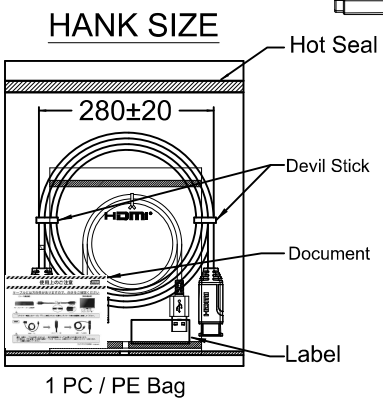
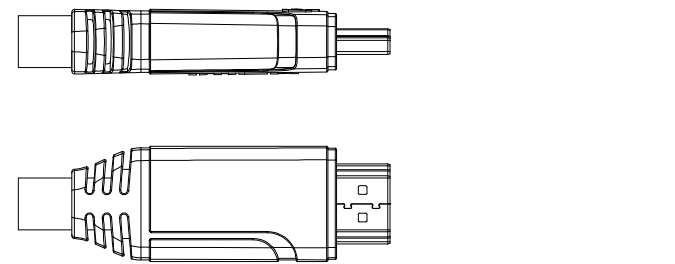
THESE DRAWINGS AND SPECIFICATIONS ARE THE PROPERTY OF **JAPAN MATERIAL Co.,Ltd.** AND SHALL NOT BE REPRODUCED COPIED OR USED IN ANY MANNER WITHOUT THE PRIOR WRITTEN CONSENT OF **JAPAN MATERIAL Co.,Ltd.**

REV.	REVISED DESCRIPTION	DATE	DRAWN
1.0	FIRST RELEASE	2020.01.06	Y.S



CONNECTION

Active THH005-2 PCBA	HDMI PLUG	HDMI PLUG
5 T.M.D.S D2S	2	T.M.D.S Data 2 +
1 T.M.D.S Data 2 +	1	T.M.D.S Data 2 -
3 T.M.D.S Data 2 -	3	
2 T.M.D.S D1S	5	T.M.D.S Data 1 +
4 T.M.D.S Data 1 +	4	T.M.D.S Data 1 -
6 T.M.D.S Data 1 -	6	
11 T.M.D.S D0S	8	T.M.D.S Data 0 +
7 T.M.D.S Data 0 +	7	T.M.D.S Data 0 -
9 T.M.D.S Data 0 -	9	
8 T.M.D.S CKS	11	T.M.D.S Clock +
10 T.M.D.S Clock +	10	T.M.D.S Clock -
12 T.M.D.S Clock -	12	
17 CEC-GND	17	DDC/CEC Ground
14 Utility	14	Reserve
19 HPD	19	Hot Plug Detect
13 CEC	13	CEC 34AWG
15 SCL	15	SCL 34AWG
16 SDA	16	SDA 34AWG
	18	+5V Power 24awg
	18	Cut 18



Electric Testing:
1: 100% 4K/60HZ TV+Simplay Labs;

THH005-2 PCBA

ITEM	SAP NO	SPECIFICATION	MODEL
⑤	307L87J01D20000	[(1/0.511Bc+PE)*1P+Mylar*2pcs+AL]*1+(1/0.203Tc+HDPE)*1C+AL/Mylar*4+[(1/0.511Bc+Foamed-PE)*1P+1/0.203Tc+AL/Mylar]*1+(1/0.203Bc+Foamed-PE)*3C+(1/0.511Bc+HDPE)*1C+Filler+Mylar/AL+24/11/0.10Tc 85%*1C OD=9.0±0.20MM Jacket=Black PVC with White Text: High Speed HDMI R(logo) Cable With Ethernet E148115-D (UL) TYPE CL2 SHIELDED 75°C 24AWG/11C+32AWG/3C ----- CSA 80 30V I/II A/B FT4	
④	2312110024	Plastic Cap-Transparent	
③	31401012050	PVC - Black 50P	
②	303370069GB 3PCB0402060010Z	HDMI A Plug - Gold Plated(Pin 15u" Gold) / With PCBA	CYT-3411/ YT-3968
①	303370069GB 3MODTH05001	HDMI A Plug - Gold Plated(Pin 15u" Gold) / With THH005-02 IC	CYT-3794/ 3795

TOLERANCES UNLESS OTHERWISE STATED

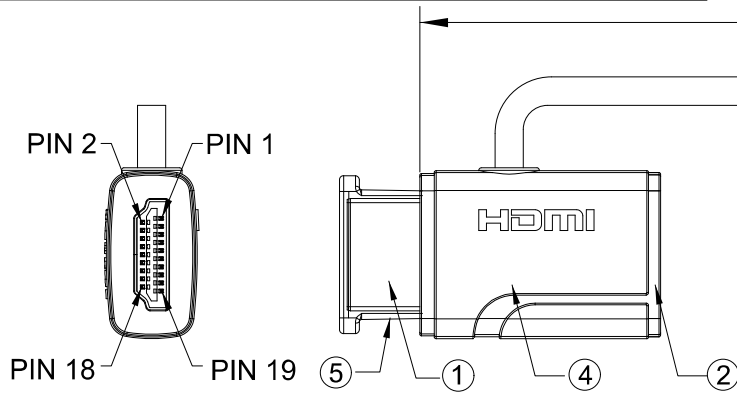
X.	= ± 1
X.X	= ± 0.2
X.XX	= ± 0.1
TOOLING	
DECIMALS ANGLES	
X.	± 0.3 ± 1°
X.X	± 0.2 ± 0.5°
X.XX	± 0.1 ± 0.5°

JAPAN MATERIAL Co.,Ltd.				
		DWG NO: E200106DWG2		
		FINISH:		
		SIZE	A4	REV 1.0
P/N:		HAM/AEF020MP		UNIT mm SCALE NO
DESCRIPTION PRODUCT		HDMI 2.0 A/P+THH005-2 - HDMI A/P 24/32# L=20M		PAGE NO 1/1 DATE 2020.01.06
		DRAWN		Y.S



THESE DRAWINGS AND SPECIFICATIONS ARE THE PROPERTY OF **JAPAN MATERIAL Co.,Ltd.** AND SHALL NOT BE REPRODUCED COPIED OR USED IN ANY MANNER WITHOUT THE PRIOR WRITTEN CONSENT OF **JAPAN MATERIAL Co.,Ltd.**

REV.	REVISED DESCRIPTION	DATE	DRAWN
1.0	FIRST RELEASE	2020.01.06	Y.S



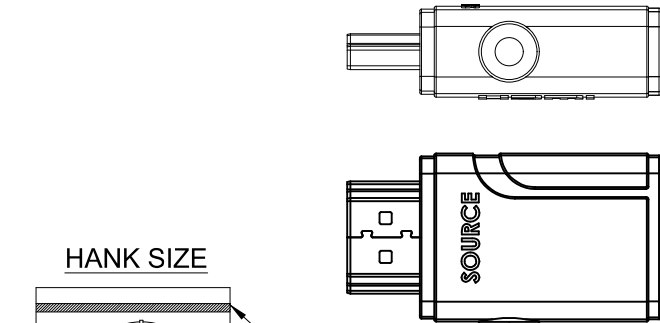
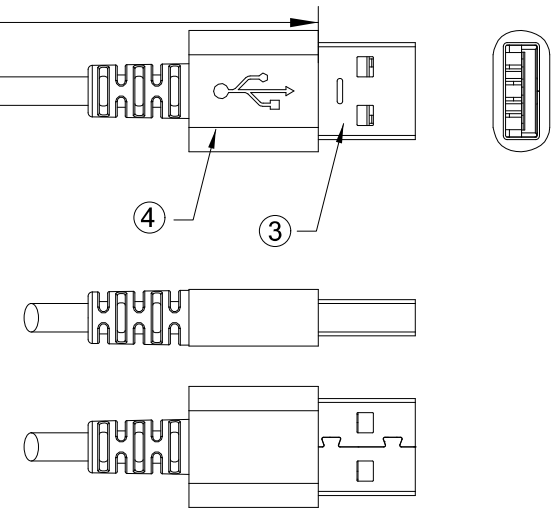
1000±30

⑥

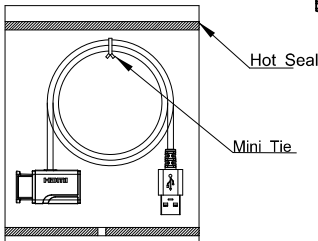
CONNECTION

HDMI A/P	HDMI A/F	USB A/P
1	T.M.D.S Data 2 +	1
2	T.M.D.S Data 2 drain	2
3	T.M.D.S Data 2 -	3
4	T.M.D.S Data 1 +	4
5	T.M.D.S Data 1 drain	5
6	T.M.D.S Data 1 -	6
7	T.M.D.S Data 0 +	7
8	T.M.D.S Data 0 drain	8
9	T.M.D.S Data 0 -	9
10	T.M.D.S Clock +	10
11	T.M.D.S Clock Ground	11
12	T.M.D.S Clock -	12
13	CEC	13
14	Utility	14
15	SCL	15
16	SDA	16
17	DDC/CEC Ground	17
18	+5 V Power	18
19	Hot Plug Detect	19
20	Shell	20

Black 4
Red 1



HANK SIZE



Packing:1Pc/PE Bag

ELECTRIC TESTING

NO	PARAMTER	TEST CONDITIONS
1	Open&Short	100 %

ITEM	SAP NO	SPECIFICATION	MODEL
⑥	307A32E01100000B	(7/0.20Tc*2C)*1C OD=3.5mm Jacket=Black PVC with White Text: E81280-D UL(LOGO) AWM 2725 80°C 30V	/
⑤	2312110042	Plastic Cap	/
④	31401012050	PVC - Black50P	/
③	30308A260003 30308A261N04 30308A260N05	USB A Plug - Nickel Plated	YT-2695 YT-2696
②	304370129N	HDMI A Female	YT-4014
①	303370069GB 3PCB0402060015Z	HDMI Plug - Gold Plated + PCBA	YT-4015

TOLERANCES UNLESS OTHERWISE STATED
X. = ± 1
X.X = ± 0.2
X.XX = ± 0.1
TOOLING DECIMALS ANGLES
X. ± 0.3 ± 1°
X.X ± 0.2 ± 0.5°
X.XX ± 0.1 ± 0.5°

JAPAN MATERIAL Co.,Ltd.				
		DWG NO:	E200106DWG3	
		FINISH:		
		SIZE	A4	REV 1.0
		UNIT	mm	SCALE 1 : 1
DESCRIPTION PRODUCT	HDMI A/P+HDMI A/F - USB A TYPE 24# L=1M	PAGE NO	1/1	
		DATE	2020.01.06	
		DRAWN	Y.S	