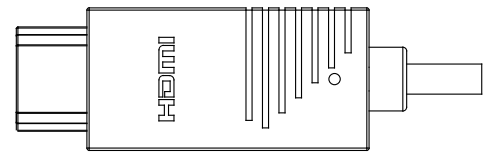
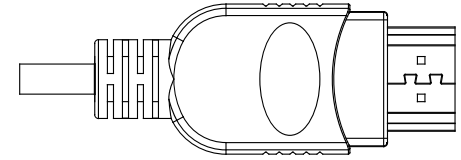


CONNECTION



PCBA FOR HDMI PLUG	HDMI PLUG		HDMI PLUG
1	2	T.M.D.S Data 2 +	2
3	1	T.M.D.S Data 2 -	1
5	3		3
7	5		5
9	4	T.M.D.S Data 1 +	4
11	6	T.M.D.S Data 1 -	6
13	8		8
15	7	T.M.D.S Data 0 +	7
17	9	T.M.D.S Data 0 -	9
8	11		11
4	10	T.M.D.S Clock +	10
6	12	T.M.D.S Clock -	12
16	17		17
12	14	Utility/HEAC+	14
14	19	HPD/HEAC-	19
10	13	CEC	13
18	15	SCL	15
20	16	SDA	16
19	18	+5V Power	18
2		Braid Shield Shell	



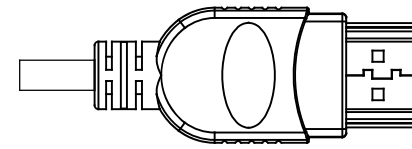
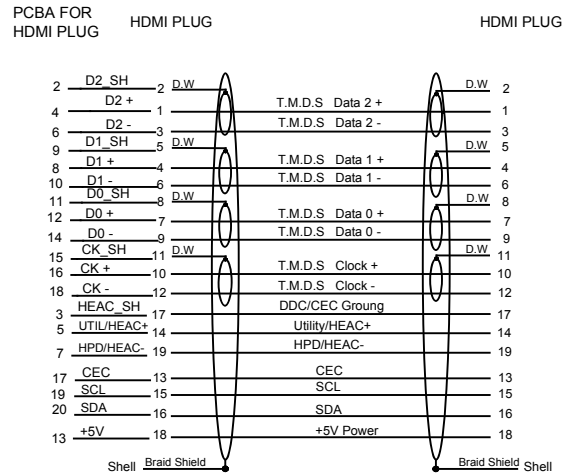
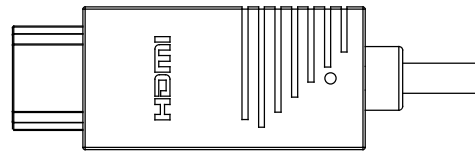
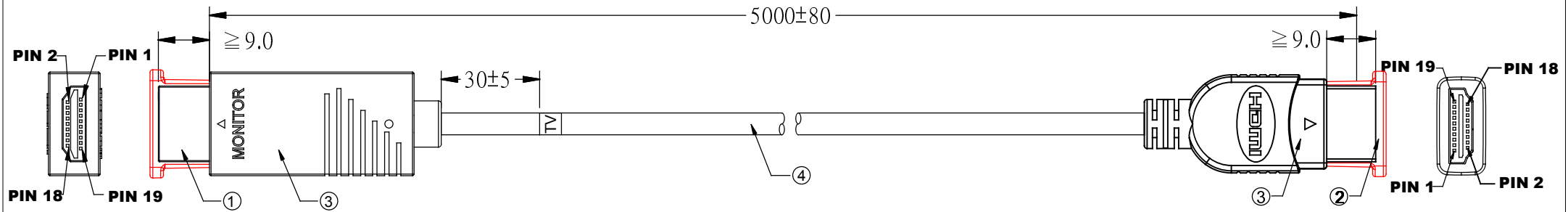
ITEM	SPECIFICATION
4	{[(1/0.16Bc+PP)*1P+1/0.16Bc+AL/Mylar]*5+(1/0.16Bc+PP)*4C+FILLER+Mylar/AL+16/9/0.08Tc}*1C OD=4.5±0.15MM Jacket=Black PVC With White Marking:High Speed HDMI (R Logo) Cable With Ethernet UL(Logo) AWM 20276 VW-1 80°C 30V E81280-D CHING TAI(307B87D01100000B)
3	PVC - Black 50P(ABS&PS Non-Migration)(CYT-1718/1323-A)
2	HDMI Plug - Gold Plated (303370069GB)
1	HDMI Plug - Gold Plated with RM

	TOLERANCES UNLESS OTHERWISE STATED
X.	= ± 1
.X	= ± 0.2
.XX	= ± 0.1

P/N	HAM/AE5MJ
DESCRIPTION	HDMI Active Cable w/HEAC 5M #34 OD:4.5mm

REVISION	A
UNIT	mm
SCALE	NO
PAGE NO	1/1
DATE	2015.09.04

Japan Material Co.,Ltd.



4	UL2725 {[(1/0.16BC+HDPE)*1P+1/0.16BC+AL/Mylar)*4P+ (1/0.203BC+HDPE)*7C+AL/Mylar+16/9/0.08Tc 85% } OD= 4.0±0.15MM Jacket=Black PVC (ABS&PS Non-Migration) Marking White:HIGH SPEED HDMI® CABLE E81280-D UL AWM 2725 80°C 30V CHING TAI(307B87401B00000B)
3	PVC - Black 50P(ABS&PS Non-Migration)(CYT-1718/1362)
2	HDMI Plug - Gold Plated (303370053GB)
1	HDMI Plug - Gold Plated with PRA
ITEM	SPECIFICATION

TOLERANCES UNLESS OTHERWISE STATED	
X.	= ± 1
.X	= ± 0.2
.XX	= ± 0.1

P / N	HAM/A5M
DESCRIPTION	HDMI Active Cable w/o HEAC 5M OD:4.0mm

REVISION	A
UNIT	mm
SCALE	NO
PAGE NO	1/1
DATE	2015.1.22