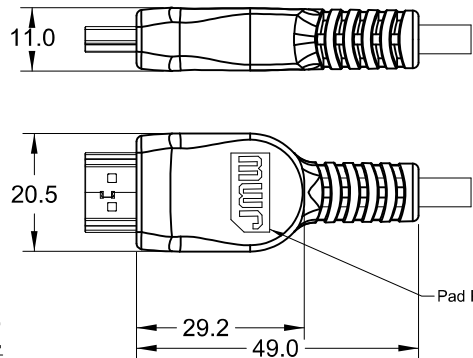
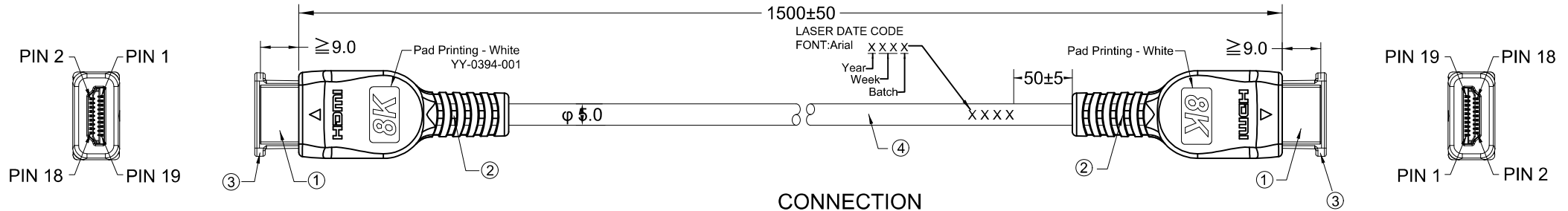
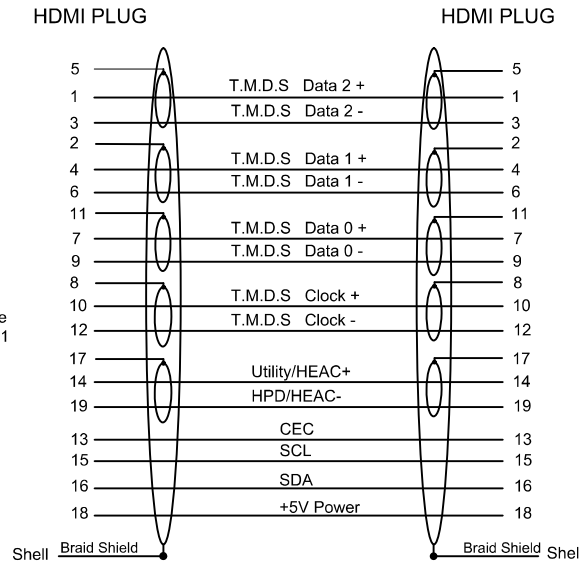


REV.	REVISED DESCRIPTION	DATE	DRAWN
1.0	FIRST RELEASE	2022.04.11	

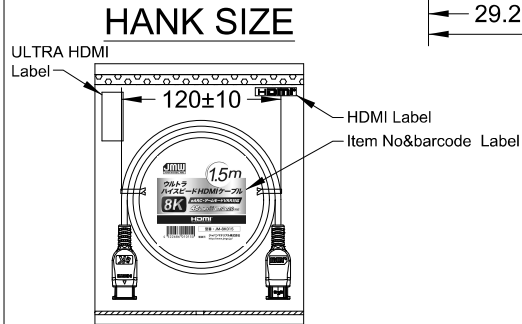


CONNECTION



ELECTRIC TESTING

NO	PARAMTER	TEST CONDITIONS
1	Open&Short	100 %
2	Insulation Resistance	≥20MΩ
3	Conductor Resistance	≤3Ω
4	Voltage	300V DC / 0.1s
5	Function Test	8K / 30Hz



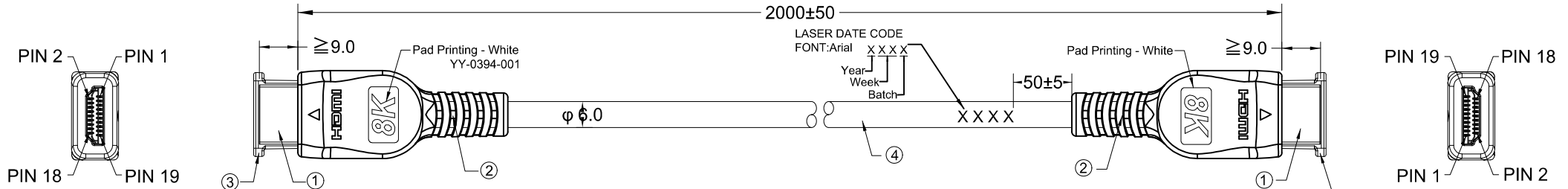
1PC/Pearlescent film bag

ITEM	SPECIFICATION	MODEL
④	HDMI Cable Spec: [32AWG*2C+EAM]*5P+32AWG*4C]+AB*1C OD=5.0±0.15MM Jacket=Black PVC with White Text :ULTRA HIGH SPEED HDMI R(logo) CABLE E81280-D UL(Logo) AWM 20276 80°C 30V VW-1	/
③	Plastic Cap-Transparent	/
②	PVC - Black 60P	/
①	HDMI A Plug - Gold Plated (Pin 3u" Gold) (P/N:HAMFNP01B4)	YT-4228/4229 YT-4169

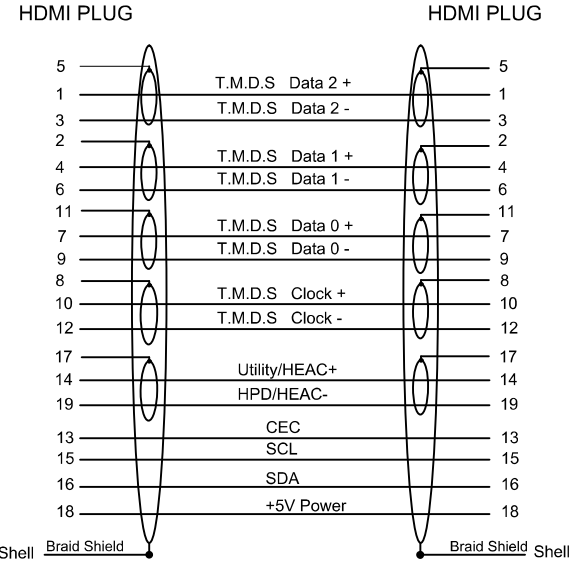
TOLERANCES UNLESS OTHERWISE STATED
X. = ±1
X.X = ±0.2
X.XX = ±0.1
TOOLING DECIMALS ANGLES
X. ±0.3 ±1°
X.X ±0.2 ±0.5°
X.XX ±0.1 ±0.5°

P/N	JM-8K015	SIZE	A4	REV	1.0
DESCRIPTION PRODUCT	HDMI 2.1 A/P to HDMI A/P 32# L=1.5M Gold Plated	UNIT	mm	SCALE	No
		PAGE NO	1/1		
		DATE	2022.04.11		
JAPAN MATERIAL Co.,Ltd,					

REV.	REVISED DESCRIPTION	DATE	DRAWN
1.0	FIRST RELEASE	2022.04.11	

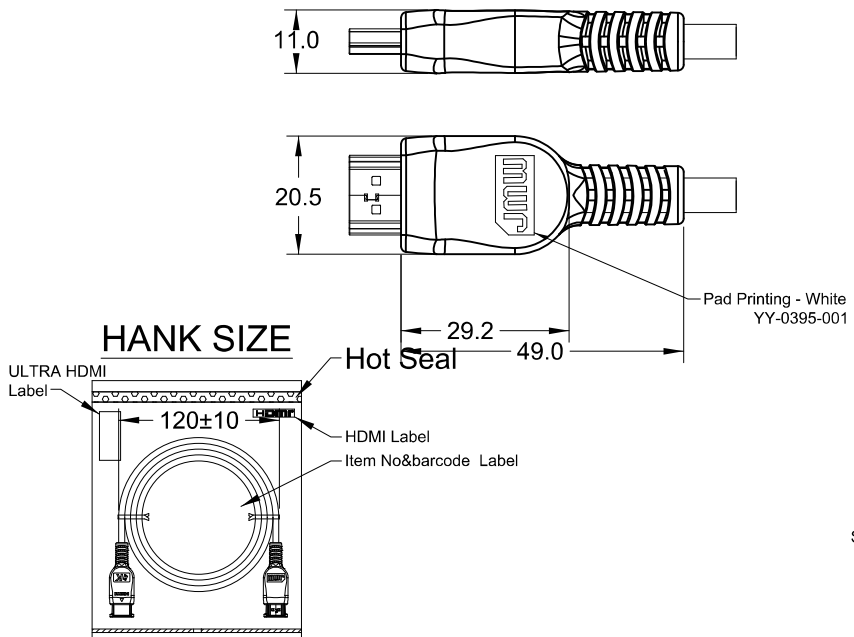


CONNECTION



ELECTRIC TESTING

NO	PARAMTER	TEST CONDITIONS
1	Open&Short	100 %
2	Insulation Resistance	≥20MΩ
3	Conductor Resistance	≤3Ω
4	Voltage	300V DC / 0.1s
5	Function Test	8K / 30Hz



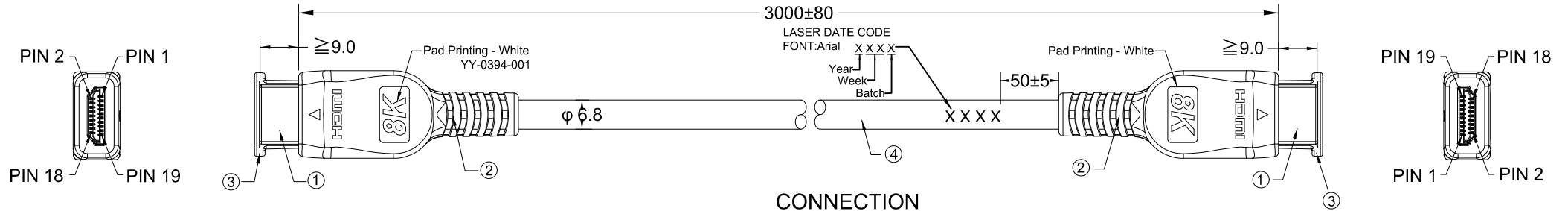
1PC/Pearlescent film bag

ITEM	SPECIFICATION	MODEL
④	HDMI Cable Spec: [(30AWG*2C+EAM)*4P+ (30AWG*2C+EAM)*1P+30AWG*4C]+AB*1C OD=6.0±0.15MM Jacket=Black PVC with White Text :ULTRA HIGH SPEED HDMI R(logo) CABLE E81280-D UL(Logo) AWM 20276 80°C 30V VW-1	/
③	Plastic Cap-Transparent	/
②	PVC - Black 60P	/
①	HDMI A Plug - Gold Plated (Pin 3u" Gold) (P/N:HAMFNP01B4)	YT-4228/4229 YT-4169

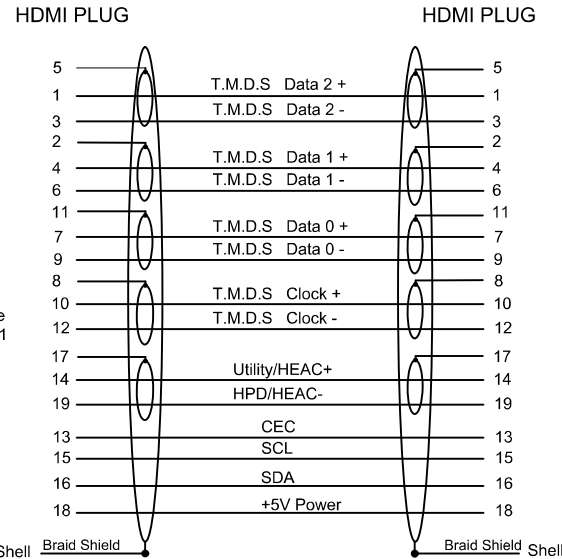
TOLERANCES UNLESS OTHERWISE STATED
X. = ± 1
X.X = ± 0.2
X.XX = ± 0.1
TOOLING DECIMALS ANGLES
X. ±0.3 ± 1°
X.X ±0.2 ± 0.5°
X.XX ±0.1 ± 0.5°

P/N	JM-8K020	SIZE	A4	REV	1.0
DESCRIPTION PRODUCT	HDMI 2.1 A/P to HDMI A/P 30# L=2.0M Gold Plated	UNIT	mm	SCALE	No
		PAGE NO		DATE	2022.04.11
JAPAN MATERIAL Co.,Ltd.					

REV.	REVISED DESCRIPTION	DATE	DRAWN
1.0	FIRST RELEASE	2022.04.11	

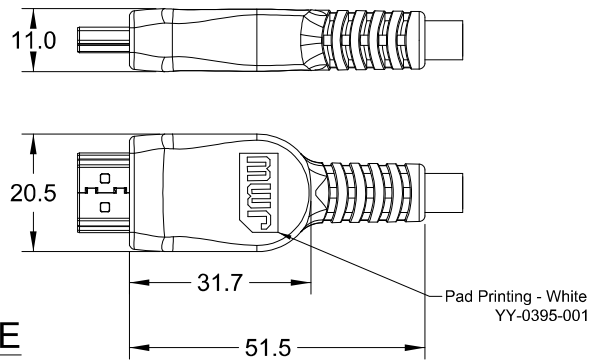


CONNECTION

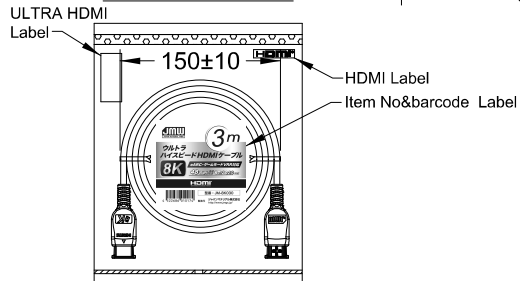


ELECTRIC TESTING

NO	PARAMTER	TEST CONDITIONS
1	Open&Short	100 %
2	Insulation Resistance	≥20MΩ
3	Conductor Resistance	≤3Ω
4	Voltage	300V DC / 0.1s
5	Function Test	8K / 30Hz



HANK SIZE



1PC/Pearlescent film bag

ITEM	SPECIFICATION	MODEL
④	HDMI Cable Spec:[(28AWG*2C+EAM)*4P+(30AWG*2C+EAM)*1P+30AWG*4C]+AB*1C OD=6.8±0.15MM Jacket=Black PVC with White Text :ULTRA HIGH SPEED HDMI R(logo) CABLE E81280-D UL(Logo) AWM 20276 80°C 30V VW-1	/
③	Plastic Cap-Transparent	/
②	PVC - Black 60P	/
①	HDMI A Plug - Gold Plated (Pin 3u" Gold)	YT-4262/3340 YT-4168

	TOLERANCES UNLESS OTHERWISE STATED
X.	= ± 1
X.X	= ± 0.2
X.XX	= ± 0.1
	TOOLING DECIMALS ANGLES
X.	± 0.3 ± 1°
X.X	± 0.2 ± 0.5°
X.XX	± 0.1 ± 0.5°

P/N	DESCRIPTION PRODUCT	SIZE	A4	REV	1.0
JM-8K030	HDMI 2.1 A/P to HDMI A/P 28# L=3.0M Gold Plated	UNIT	mm	SCALE	No
		PAGE NO	1/1		
		DATE	2022.04.11		
JAPAN MATERIAL Co.,Ltd,					