



THESE DRAWINGS AND SPECIFICATIONS ARE THE PROPERTY OF **JAPAN MATERIAL Co.,Ltd.** AND SHALL NOT BE REPRODUCED COPIED OR USED IN ANY MANNER WITHOUT THE PRIOR WRITTEN CONSENT OF **JAPAN MATERIAL Co.,Ltd.**

REV.	REVISED DESCRIPTION	DATE	DRAWN
1.0	FIRST VERSION	2020.04.17	Y.S

TABLE A

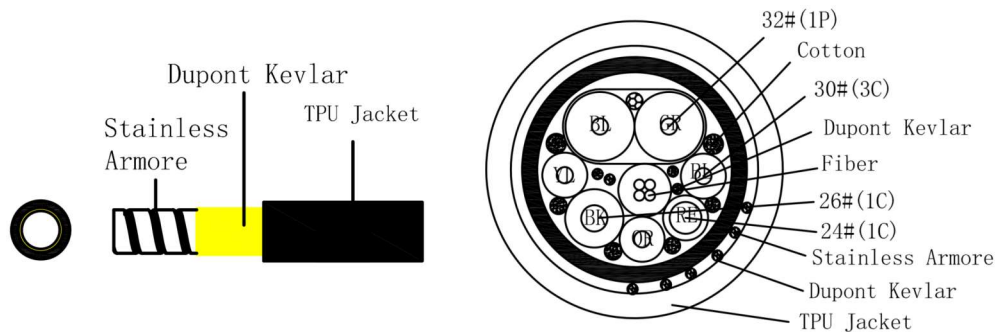
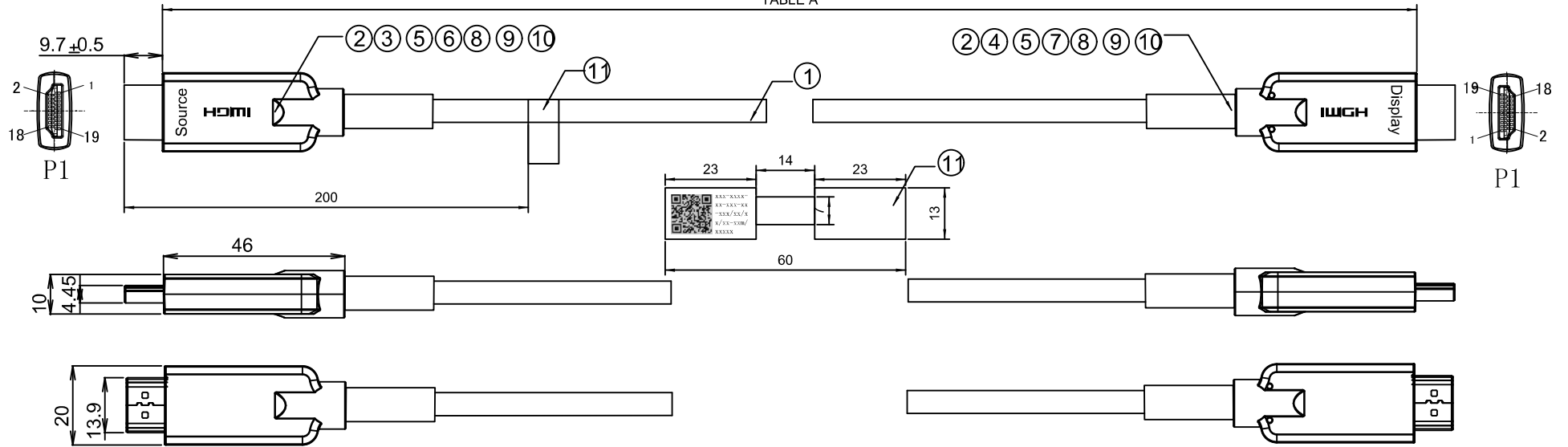


TABLE A

P/N:	Length (mm)
JM-AM010	10000+/-200
JM-AM015	15000+/-250
JM-AM020	20000+/-300
JM-AM030	30000+/-400
JM-AM040	40000+/-500
JM-AM050	50000+/-1000
JM-AM075	75000+/-1000
JM-AM100	100000+/-1000

NOTES:

3840X2160@60Hz

Support 18Gbps 4:4:4

Support Max 100M

JAPAN MATERIAL Co.,Ltd.

ITEM	SPECIFICATION
⑪	QR CODE LABEL
⑩	Screw
⑨	Cable Clips
⑧	Protective Cap
⑦	HDMI A male Shell(bottom) Black(Display)
⑥	HDMI A male Shell(bottom) Black(Source)
⑤	HDMI A male Shell(Upon) Black
④	HDMI A PCBA (Display)
③	HDMI A PCBA (Source)
②	HDMI A male Gold Plated
①	Armored HDMI Active Optical Cable (4 Fiber+7 Copper wire) Black TPU OD:5.8MM

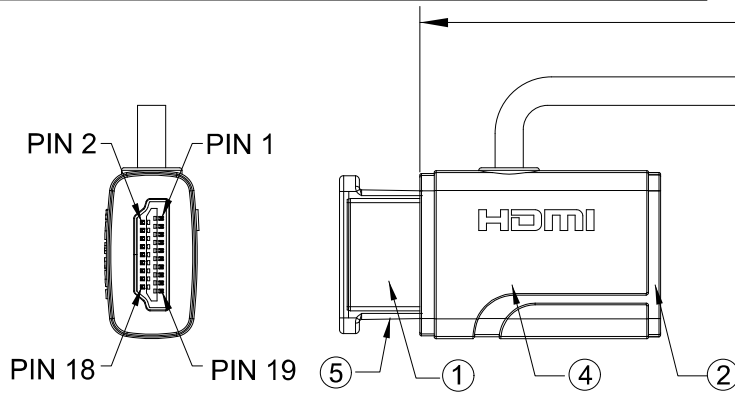
TOLERANCES UNLESS OTHERWISE STATED
X. = ± 1
X.X = ± 0.2
X.XX = ± 0.1
TOOLING DECIMALS ANGLES
X. ±0.3 ± 1°
X.X ±0.2 ± 0.5°
X.XX ±0.1 ± 0.5°

P/N:		JM-AMXXXX	
DESCRIPTION PRODUCT		Armored HDMI 2.0 Active Optical Cable	
DWG NO:		E200417DWG2	
FINISH:			
SIZE	A4	REV	1.0
UNIT	mm	SCALE	NA
PAGE NO		1/1	
DATE		2020.04.17	
DRAWN		Y.S	



THESE DRAWINGS AND SPECIFICATIONS ARE THE PROPERTY OF **JAPAN MATERIAL Co.,Ltd.** AND SHALL NOT BE REPRODUCED COPIED OR USED IN ANY MANNER WITHOUT THE PRIOR WRITTEN CONSENT OF **JAPAN MATERIAL Co.,Ltd.**

REV.	REVISED DESCRIPTION	DATE	DRAWN
1.0	FIRST RELEASE	2020.01.06	Y.S



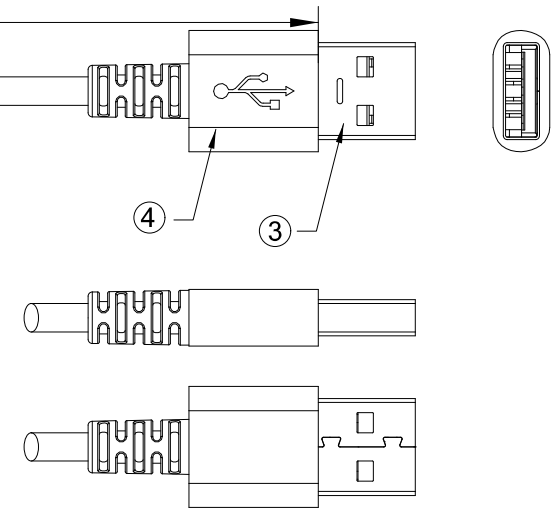
1000±30

⑥

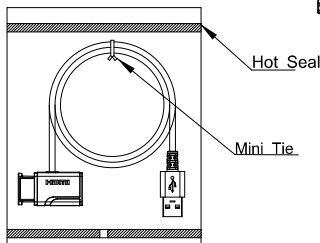
CONNECTION

HDMI A/P	HDMI A/F	USB A/P
1	T.M.D.S Data 2 +	1
2	T.M.D.S Data 2 drain	2
3	T.M.D.S Data 2 -	3
4	T.M.D.S Data 1 +	4
5	T.M.D.S Data 1 drain	5
6	T.M.D.S Data 1 -	6
7	T.M.D.S Data 0 +	7
8	T.M.D.S Data 0 drain	8
9	T.M.D.S Data 0 -	9
10	T.M.D.S Clock +	10
11	T.M.D.S Clock Ground	11
12	T.M.D.S Clock -	12
13	CEC	13
14	Utility	14
15	SCL	15
16	SDA	16
17	DDC/CEC Ground	17
18	+5 V Power	18
19	Hot Plug Detect	19
20	Shell	20

Black 4
Red 1



HANK SIZE



Packing:1Pc/PE Bag

ELECTRIC TESTING

NO	PARAMTER	TEST CONDITIONS
1	Open&Short	100 %

ITEM	SAP NO	SPECIFICATION	MODEL
⑥	307A32E01100000B	(7/0.20Tc*2C)*1C OD=3.5mm Jacket=Black PVC with White Text: E81280-D UL(LOGO) AWM 2725 80°C 30V	/
⑤	2312110042	Plastic Cap	/
④	31401012050	PVC - Black50P	/
③	30308A260003 30308A261N04 30308A260N05	USB A Plug - Nickel Plated	YT-2695 YT-2696
②	304370129N	HDMI A Female	YT-4014
①	303370069GB 3PCB0402060015Z	HDMI Plug - Gold Plated + PCBA	YT-4015

TOLERANCES UNLESS OTHERWISE STATED
X. = ± 1
X.X = ± 0.2
X.XX = ± 0.1
TOOLING DECIMALS ANGLES
X. ± 0.3 ± 1°
X.X ± 0.2 ± 0.5°
X.XX ± 0.1 ± 0.5°

JAPAN MATERIAL Co.,Ltd.

DESCRIPTION PRODUCT	HDMI A/P+HDMI A/F - USB A TYPE 24# L=1M	DWG NO:	E200106DWG3
		FINISH:	
		SIZE	A4
		REV	1.0
		UNIT	mm
		SCALE	1 : 1
		PAGE NO	1/1
		DATE	2020.01.06
		DRAWN	Y.S