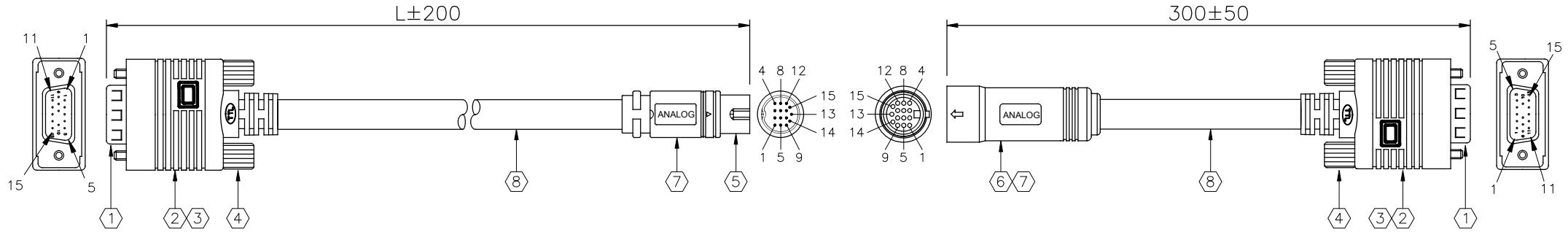


ALL MATERIAL ARE RoHS AND CALIFORNIA PROP.65 COMPLIANT



**NOTE:**

1. DIN CONNECTION WILL MEET IP65 WATERPROOF REQUIREMENT
2. NEC-CL GRADE WIRES WILL BE OPTIONAL

P/N	L(mm)	BARCODE
V/DE10M	9700	4522686005033
V/DE15M	14700	4522686005040
V/DE20M	19700	4522686005057
V/DE30M	29700	4522686005064

PINOUT CONFIGURATION

HD15 MALE	DIN 15 MALE	DIN 15 FEMALE	HD15 MALE
1 — RED COAX	1	1 — RED COAX	1
2 — GREEN COAX	2	2 — GREEN COAX	2
3 — BLUE COAX	3	3 — BLUE COAX	3
6 — RED SHIELD	5	5 — RED SHIELD	6
7 — GREEN SHIELD	6	6 — GREEN SHIELD	7
8 — BLUE SHIELD	7	7 — BLUE SHIELD	8
10,11			10,11
5 —	8	8 —	5
12 —	9	9 —	12
13 —	10	10 —	13
14 —	11	11 —	14
15 —	12	12 —	15
SHELL — BRAID — SHELL		SHELL — BRAID — SHELL	

UNIT: mm

ITEM	DESCRIPTION	QTY.	UNIT
1	HD15 MALE CONNECTOR (NO PIN #9)	2	PCS.
2	PAT. US 6,287,148 B1 RF-BLOK™ SHIELDING METAL CAN	2	PCS.
3	BLUE 661C MOLDED PVC HOOD	2	PCS.
4	BLUE 661C #4/40 THUMBSCREW	4	PCS.
5	DIN 15PIN MALE CONNECTOR	1	PCS.
6	DIN 15PIN FEMALE CONNECTOR	1	PCS.
7	BLUE 661C MOLDED PVC HOOD	2	PCS.
8	UL20276 (UL1354 HIGH PRECISION MINI COAX 75Ω WITH DOUBLE SHIELDS)x3C+(CONTROL WIRE)x5C+AL-FOIL+DRAIN+85%BRAID; BLACK PVC JACKET	SEE	DWG.

REVISED DETAILS

REV.	DESCRIPTION	DATE	REVISED BY

Part number:  
V/DE10M  
V/DE15M  
V/DE20M  
V/DE30M

Revision:  
A  
Drawing#: 141217-9  
Scale: None  
Date: 12/17/2014

© Copyright 12-2014  
**JAPAN MATERIAL Co.,Ltd.**  
TTL13/E/JM/141217-9  
PAGE: 1 of 1

All information herein is proprietary and the exclusive property of the company. Recipient agrees: 1) Not to disclose any of such information to others 2) Not to reproduce in whole or in part 3) To use such information only as directed by the company. 4) Upon request, to return all copies of this document to the company. Specifications are subject to change without prior notice.